



Axellent Outdoor

Robust products for outdoor environments



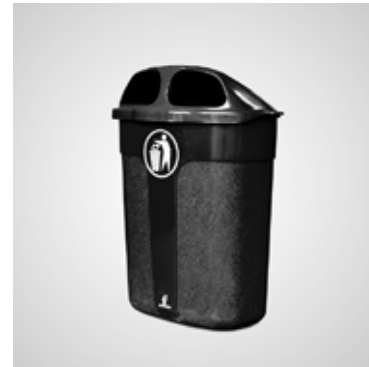
AXELENT LITTER BINS



CLASSIC BLUE



CLASSIC GREEN



CLASSIC BLACK

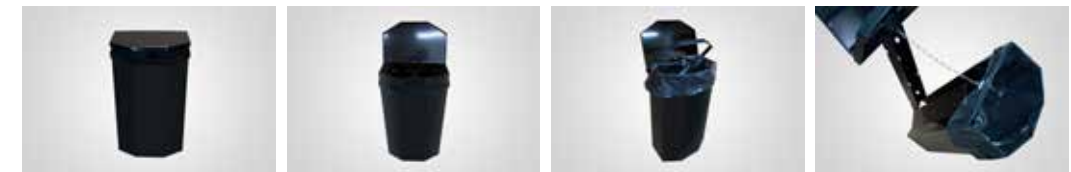
Classic Litter Bin

Classic is a stable and robust bin that holds 60 litres. It comes in standard colours blue, green and black. The bin is made of heat and cold resistant high density polyethylene. A galvanized bracket is supplied for wall or post mounting but a jubilee clip is recommended for post mounting (not included).

PRODUCT FACTS CLASSIC

Art.No	540010 - Black 540011 - Green 540012 - Blue
Volume	60L
Height	740 mm
Width	530 mm
Depth	360 mm
Weight	5.2 kg

AXELENT LITTER BINS



Tilt Litter Bin

Tilt is a sturdy litter bin built to withstand the wear and tear of demanding outdoor conditions. The bin is made of 2 mm hot dip galvanized sheet plating and has a black powder coating (RAL 9005). The bin liner is kept in place with a holder. To change the liner, lift the holder and tilt the bin forward 45 degrees. The sturdy lid keeps birds and other animals at bay.

Tilt comes with jubilee clips for post and wall mounting.

PRODUCT FACTS TILT

Art.No	540019
Colour	Black RAL 9005
Volume	40L
Height	630 mm
Width	380 mm
Depth	230 mm
Weight	17 kg

AXELENT LITTER BINS



Avenue 75L Litter Bin

Avenue has an elegant design and holds 75 litres. The bin is made of 1.5 mm stainless steel and has a black powder coating (RAL 9005). The lid can be lifted after first opening the door with the triangle key provided. The bin liner is kept in place with a holder.

Avenue is freestanding but can be bolted to the ground. Our concrete base (accessory) is recommended for freestanding bins. It is screwed on under the bin to provide stability. The base also makes it more pleasing on the eye.

PRODUCT FACTS AVENUE

Art.No litter bin	540020
Art.No concrete base (accessory)	540020-1
Colour	Black RAL 9005
Volume	75L
Height	850 mm
Diameter	400 mm
Weight	18.6 kg
Weight with concrete base	40.2 kg

AXELENT LITTER BINS



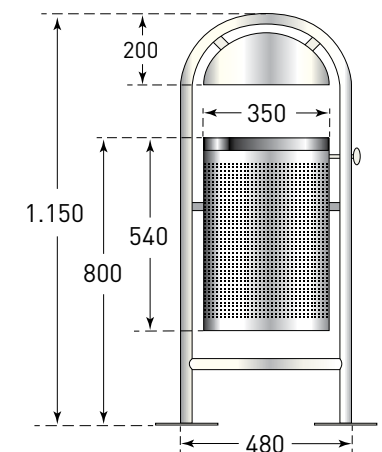
Morion Litter Bin DS35

Morion has a contemporary design in robust stainless steel. The bin comes with a galvanized container that holds 35 litres. The tipping mechanism makes the bin liner easy to insert and remove, and there are holes in the bottom for liquids to run off. The curved tubular frame has a canopy attached and the bin is locked using the triangle key provided. Morion is available in two anchoring options.

- Made of stainless steel
- Robust
- Elegant design
- With triangle lock
- Two anchoring options

PRODUCT FACTS MORION

Art. No	Description	Dimensions (mm) HxWxD
512.27.575	With 35L container	1150x480x540
512.27.861	Bottom tube for setting in concrete, 2 containers	



AXELENT PARK FURNITURES



PARX PARK BENCH

Parx is a rugged bench made of 15 mm hot dip galvanized steel and 35 mm oak wood. Parx is stylish and clean-lined and built to withstand harsh outdoor conditions. It is freestanding on its base plates but can easily be anchored to the ground if removing the plates.



PRODUCT FACTS PARX	
Art.No	530010
Length	1600 mm
Depth	520 mm
Height	820 mm
Sitting height	500 mm
Weight	76 kg

AXELENT PARK FURNITURES



BREAK PARK BENCH

Break is a robust park bench in contemporary Scandinavian style made of 40 mm thick FSC-certified Nordic pine and hot dip galvanized 60 mm steel tubing. The bench seat is stained in an aqueous glaze with brown, black or white as standard. The glaze is mouldresistant and provides long-lasting protection against harsh outdoor conditions.

PRODUCT FACTS BREAK	
Art.No	530015 - Brown 530016 - Black 530017 - White
Length	1750 mm
Depth	546 mm
Height	750 mm
Sitting height	445 mm
Weight	36 kg



BREAK PARK BENCH

Break Double Bench is a robust park bench in the same style and material as the other Break Park Bench but with seating on both sides.

PRODUCT FACTS BREAK	
Art.No	530018 - Brown 530019 - Black 530020 - White
Length	1750 mm
Depth	920 mm
Height	750 mm
Sitting height	445 mm
Weight	54 kg

AXELENT GRIT BIN



GRIT BIN 130L



GRIT BIN 250L



GRIT BIN 350L



GRIT BIN 550L



GRIT SCOOP 3L
WITH SHOVEL

GRIT BIN 130, 250, 350 and 550L

This glass fibre reinforced polyester grit bin is made in Sweden and built to withstand the demanding Nordic weather conditions. It comes in four sizes and is usually placed in front of entrances and in public spaces to facilitate the speedy gritting of slippery surfaces.

It has a reinforced lid with runoff that is secured to the bin with two hot dip galvanized hinges. The lid is held in upright position by chains secured to the inside of the bin. The bin is also equipped with 10 cm tall skids on either side to make it easier to move around. It comes in standard colours black, yellow, green and blue and SAND is written on the front in white or black lettering. The bins can also be ordered in optional RAL colours and with a mounted padlock hasp as an accessory.

A single bin is delivered fully assembled. Several are stacked in each other to save transport space. The lids are easily attached using the nuts and bolts provided.

A grit scoop and shovel with a volume of 3 litres is available as an accessory. The scoop is the ideal tool for efficient gritting and salting. It is made of frost-proof eco-friendly plastic.

PRODUCT FACTS GRIT BIN

Art.No	Description	Volume (L)	Weight (kg)	Length (mm)	Width (mm)	Height (mm)
500130	Black	130	13	870	560	670
500250	Yellow	250	17	980	650	670
500350	Green	350	20	1100	800	820
500550	Blue	550	29	1400	900	820
500000	Grit scoop 3L (accessory)					
500005	Mounted padlock hasp (accessory)					

AXELENT BOLLARDS



Wien City Bollard

Wien is a quality product with a long service life, making it very popular among architects and town planners. The bollard is round and made of quality steel with a domed aluminium cap. It has a hot dip galvanized finish with a grey brown powder coating (RAL 8019). The bollard has two anchoring options and comes in diameters of 76, 90 and 108 mm. Can be equipped with chain eyes (accessory).

- Made of steel
- Simple design
- Long service life
- Two anchoring options
- Three diameters

PRODUCT FACTS CITY

Mounting	Art.No	Ø x steel size (mm)
For setting in concrete	160.24.262	76x2
950 mm above ground	160.23.890	90x2.5
300 mm below ground	160.10.243	108x2.9
For mounting with a triangle lock*	160.21.059	76x2
950 mm above ground	160.21.942	90x2.5
300 mm below ground	160.10.569	108x2.9
For mounting with a cylinder lock*	160.21.544	76x2
950 mm above ground	160.29.018	90x2.5
300 mm below ground	160.20.581	108x2.9
Triangle key (order this as well)	130.12.326	

*For mounting with a triangle lock on the side in accordance with DIN 3223 or a cylinder lock with a similar locking mechanism, includes 3 keys.

AXELENT BOLLARDS



Milano City Bollard

Milano is a high quality stainless steel bollard of timeless elegance with a pressed cap. The bollard has three anchoring options and comes in diameters of 60, 76 and 102 mm.

Can be equipped with chain eyes (accessory).

- Made of stainless steel
- Discreet design
- Long service life
- Three anchoring options
- Three diameters

PRODUCT FACTS MILANO

Mounting	Art.No	Ø x steel size (mm)
For setting in concrete	167.13.331	60x2
925 mm above ground	167.15.826	76x2
260 mm below ground	167.15.704	102x2
For mounting on a base plate	167.16.096	60x2
931 mm above ground	167.14.669	76x2
	167.16.653	102x2
For mounting with a triangle lock*	167.15.888	60x2
925 mm above ground	167.16.363	76x2
260 mm below ground	167.19.875	102x2
Triangle key (order this as well)	130.19.417	

*For mounting with a triangle lock on the side in accordance with DIN 3223.

AXELENT BOLLARDS



Berlin City Bollard

This City Bollard is handcrafted in top quality material. The seamless transition to the highly polished top gives the bollard an exclusive and timeless character while extending its service life. The bollard has three anchoring options and comes in diameters of 60, 76 and 108 mm. All are available with a stainless steel base ring and chain eyes (accessories).

PRODUCT FACTS BERLIN

Mounting	Art.No	Ø x steel size (mm)
For setting in concrete	167.18.689	60x2
900 mm above ground	167.17.883	76x2
300 mm below ground	167.16.287	108x2
For mounting on a base plate	167.18.490	60x2
900 mm above ground	167.16.483	76x2
	167.13.788	108x2
For mounting with a triangle lock*	167.18.736	60x2
900 mm above ground	167.18.723	76x2
300 mm below ground	167.13.750	108x2
For mounting with cylinderlock*	167.14.189	76x2
900 mm above ground	167.15.768	108x2
300 mm below ground		
Base ring (for all mountings)	167.14.049	60
	167.18.323	76
	167.13.917	108
Triangle key (order this as well)	130.12.326	

*For mounting with a triangle lock on the side in accordance with DIN 3223 or a cylinder lock with a similar locking mechanism, includes 3 keys.

- Made of stainless steel
- Elegant design
- For the highest demands
- Four anchoring options
- Three diameters

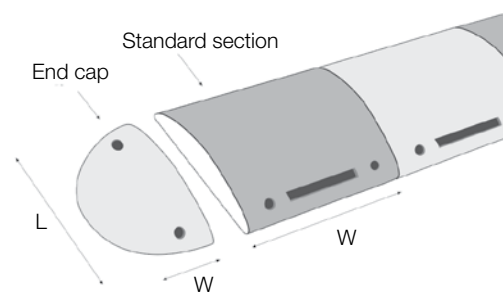
AXELENT SPEED BUMPS



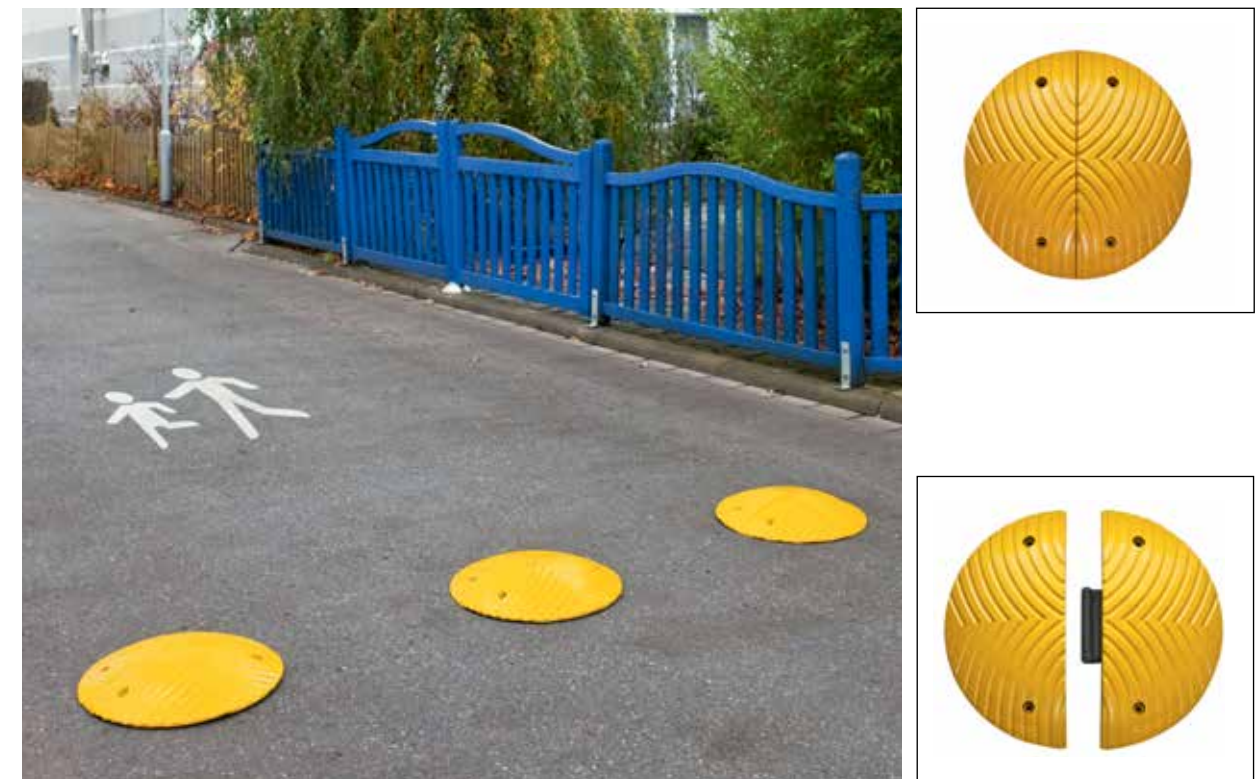
Topstop Speed Bump

Topstop Speed Bump is made of recycled plastic and is a cost-effective way of keeping vehicle speeds down. It is ideal for regulating traffic at exits, loading bays, weighbridges, crossings, etc., and keeps a firm grip in wet weather. The yellow-black sections are easy to see in daytime and have strong cats-eye style reflectors for excellent night visibility. Topstop is easily installed. The sections interlock and are fixed using plugs. On roads with heavier traffic it is recommended that the sections be glued. Topstop comes in three heights for different speeds. Topstop 20-RE and 30-RE are recommended for public roads.

PRODUCT FACTS TOPSTOP				
Name	Sections	Colour	Art.No	Dimensions LxWxH (mm)
TOPSTOP 5-RE for 5-10km/h	Standard section	Black	281.14.155	500x500x70
		Yellow	281.18.436	500x500x70
	End cap with tongue	Yellow	281.18.224	500x250x70
	End cap with groove	Yellow	281.15.317	500x250x70
TOPSTOP 20-RE for 10-20km/h	Standard section	Black	281.16.415	400x500x50
		Yellow	281.18.692	400x500x50
	End cap with tongue	Yellow	281.19.480	400x250x50
	End cap with groove	Yellow	281.15.466	400x250x50
TOPSTOP 30-RE for 20-30km/h	Standard section	Black	281.15.289	500x500x30
		Yellow	281.16.941	500x500x30
	End cap	Yellow	281.17.266	500x250x30



AXELENT SPEED BUMPS



Topstopper Speed Bump

This simple speed bump consists of two Topstop-5-RE end caps joined together to form a circular bump. This is an ideal solution for reducing traffic speed and for directing traffic. Can also be used as private parking bay markers. Topstopper is easily installed. The sections interlock and are fixed using plugs. Can be glued if called for.

PRODUCT FACTS TOPSTOPPER	
Art. No	Dimensions (mm) Ø x H
281.27.458	500*70
109.17.393	Road anchor 12/100 (requires a set of 4)

AXELENT BICYCLE RACKS



Bicycle rack, two tier rack with or without retractable rail

Two tier bicycle racks offer double the capacity of traditional solutions. Optimum use of space with minimum effort! The racks come in three versions, from a simple model where the bike is lifted on to the second tier manually, to a model with a retractable rail to help lift it up. The rail is available with or without a gas spring.

PRODUCT FACTS - RETRACTABLE RAIL WITH GAS SPRING

Number of bikes	Dimensions HxDxW (mm)	Art.No
8	2100x2000x1600	100-44
6	2100x2000x1200	100-33
4	2100x2000x800	100-22

PRODUCT FACTS - RETRACTABLE RAIL WITHOUT GAS SPRING

Number of bikes	Dimensions HxDxW (mm)	Art.No
8	2100x2000x1600	200-44
6	2100x2000x1200	200-33
4	2100x2000x800	200-22

NB Total length including retracted rail is 3300 mm.

PRODUCT FACTS - FIXED RAILS WITH LOCKS ON BOTH TIERS

Number of bikes	Dimensions HxDxW (mm)	Art.No
8	2100x1850x1600	300-44
6	2100x1850x1200	300-33
4	2100x1850x800	300-22

PRODUCT FACTS - PRIMO BICYCLE PUMP

Art.No	Dimensions Ø x D (mm)	Weight (kg)	Colour
520001	400x190	15	Lime green

CYKELPUMP PRIMO

Wall-mounted electric bicycle pump with a compressor. Pressure gauge 0 to 10 bar. Anti-UV treated with unbreakable polycarbonate.

Universal nozzle that fits Presta, Schrader, Woods and Dunlop valves.

Shipped with three screws and plugs designed for hard material only.



AXELENT BICYCLE RACKS



Bicycle rack, simple rack for wall-mounting

PRODUCT FACTS

Weight	Dimensions HxD (mm)	Art.No
3.5 kg	1210x260	500-1

Bicycle rack, for placing on the ground

PRODUCT FACTS

Number of bikes	Dimensions HxDxW (mm)	Art.No
5 (11 kg)	250x450x2230	600-5
4 (9.1 kg)	250x450x1880	600-4

NB For bikes of the same height.



PRODUCT FACTS

Number of bikes	Dimensions HxDxW (mm)	Art.No
5 (14 kg)	500x500x1900	700-5
4 (12 kg)	500x500x1550	700-4

NB For bikes of varying heights.



Bicycle rack, for wall-mounting (45 & 90 degrees)



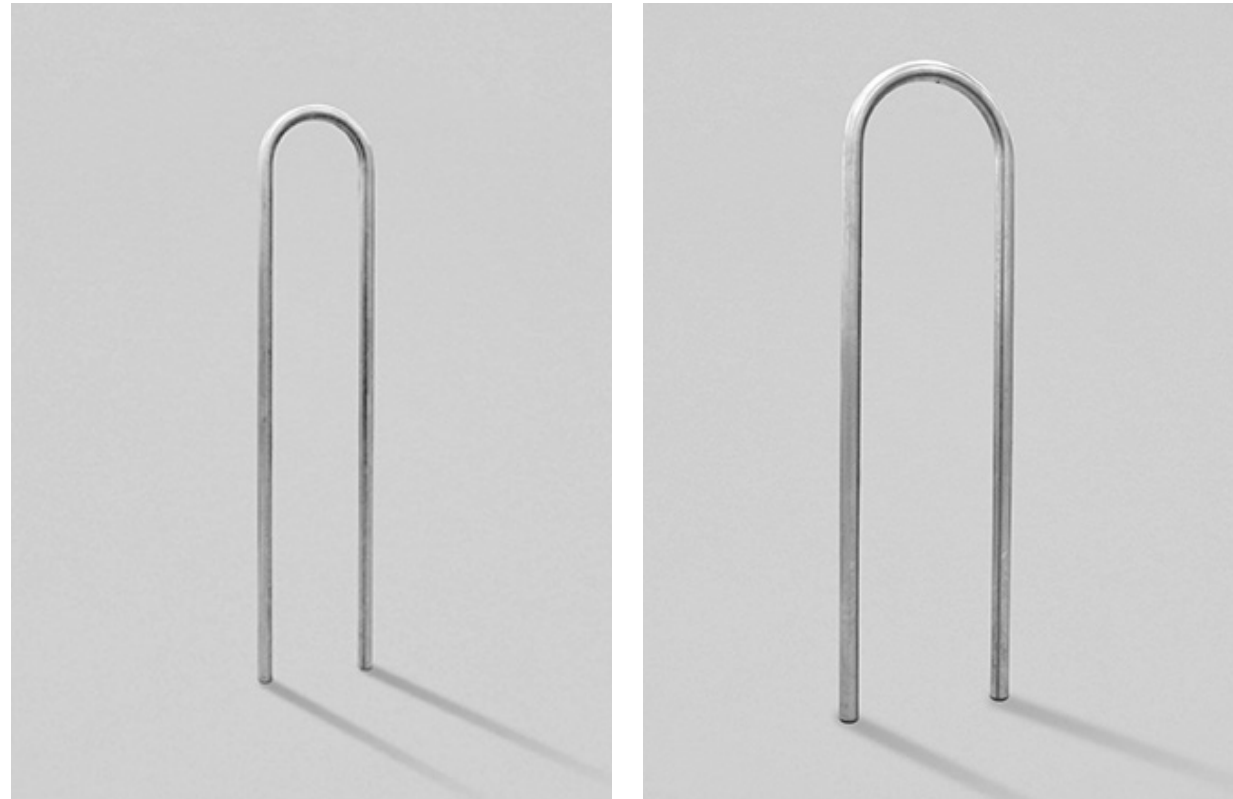
PRODUCT FACTS 90 DEGREES

Number of bikes	Dimensions HxDxW (mm)	Art.No
5 (9.5 kg)	430x245x2250	800-5
4 (8 kg)	430x245x1800	800-4

PRODUCT FACTS 45 DEGREES

Number of bikes	Dimensions HxDxW (mm)	Art.No
5 (9.5 kg)	450x230x2250	900-5
4 (7.5 kg)	450x230x1800	900-4

AXELENT BICYCLE RACKS



Loop Bicycle rack

Our bicycle racks and bollards are designed to provide secure bicycle parking in public spaces. All the racks are made of hot dip galvanized steel and are robust enough to withstand the extreme conditions to which they are exposed. Loop is a classic bicycle rack with an ingenious space-saving design. It is designed to be attractive even when empty. Loop comes in two sizes: Loop 4 and Loop 6. It is easily installed by concreting in the ground (400 mm).

Loop is also available powder-coated in optional RAL colours.

PRODUCT FACTS LOOP 4

Art.No	510040
Weight	4 kg
Width	232 mm
Height	1100 mm
Height above ground	700 mm
Tubing diameter	32 mm
Standard colour*	Hot dip galvanized

*) Available in optional RAL-colour

PRODUCT FACTS LOOP 6

Art.No	510060
Weight	6 kg
Width	395 mm
Height	1400 mm
Height above ground	1000 mm
Tubing diameter	45 mm
Standard colour*	Hot dip galvanized

*) Available in optional RAL-colour

AXELENT BICYCLE RACKS



WATCH BICYCLE RACK

GUARD BICYCLE RACK

ARC BICYCLE RACK

Watch Bicycle rack

Watch, with its characteristic design, is a bestseller among bicycle racks. As the name implies, this rack watches over your bike. Watch is a space-saving rack with room for two bikes and can easily be installed along pavements.

It is concreted in the ground (400 mm).

Guard Bicycle rack

Guard is a space-saving bicycle rack designed for two bikes. It can also double up as an effective bollard. The neat design is ideal for walkways outside shopping malls and shops to keep unwanted vehicles at bay. Guard is easily installed by concreting in the ground (400 mm).

Arc Bicycle rack

Arc is a stylish and versatile bicycle rack for one or two bikes. The design makes it easy to place almost anywhere.

Arc is easily installed by concreting in the ground (400 mm).

PRODUCT FACTS WATCH

Art.No	510010
Weight	13 kg
Width	550 mm
Height	1500 mm
Height above ground	1100 mm
Tubing diameter	114 mm
Standard colour*	Hot dip galvanized

*) Available in optional RAL-colour

PRODUCT FACTS GUARD

Art.No	510020
Weight	12 kg
Width	350 mm
Height	1500 mm
Height above ground	1100 mm
Tubing diameter	114 mm
Standard colour*	Hot dip galvanized

*) Available in optional RAL-colour

PRODUCT FACTS ARC

Art.No	510030
Weight	13 kg
Width	1250 mm
Height	1500 mm
Height above ground	1100 mm
Tubing diameter	51 mm
Standard colour*	Hot dip galvanized

*) Available in optional RAL-colour

AXELENT BICYCLE RACKS



Morion Bicycle rack

Stable, robust bicycle rack made of hot dip galvanized steel angle and tubing. The rack is placed on the ground and accommodates two to six bikes. The alternate high and low wheel mounts save space and the curved design enables parking from both sides. The rack is also suitable for mountain bikes (up to 55 mm tyre width) and bikes with disc brakes.

Morion is delivered unassembled. Assembly instructions and instructions for use included.

PRODUCT FACTS MORION

Number of bikes	Width (mm)	Art.No
2	700	169.13.535
3	1050	169.18.628
4	1400	169.15.104
5	1750	169.14.981
6	2100	169.15.556

AXELENT BICYCLE RACKS



City Bicycle Rack Coppa

Rack in a special design with rectangular steel tubes, perfect to prop and lock the bike. The rack is hot dip galvanized and is also available in grey colour (DB 703). The rack is also available in two mounting alternatives.

PRODUCT FACTS COPPA

Mounting	Colour	Dimensions HxW (mm)	Art. No
For setting in concrete	Hot dip galvanized	800x700	171.26.688
For mounting with bolt	Hot dip galvanized	800x700	171.21.382
For setting in concrete	Hot dip galvanized + DB703	800x700	171.22.675
For mounting with bolt	Hot dip galvanized + DB703	800x700	171.25.337



City Bicycle Rack Vuelta

A bicycle rack with similar design like COPPA's, but with rounder shapes. The rack is made of a hot dip galvanized tube and also available in grey colour (DB 703) and in two mounting alternatives.

PRODUCT FACTS VUELTA

Mounting	Colour	Dimensions HxW (mm)	Art. No
For setting in concrete	Hot dip galvanized	800x700	171.29.695
For mounting with bolt	Hot dip galvanized	800x700	171.22.178
For setting in concrete	Hot dip galvanized + DB703	800x700	171.29.869
For mounting with bolt	Hot dip galvanized + DB703	800x700	171.27.913



City Bicycle Rack Giro

A rack with design combined of round and squared tubes. The rack is hot dip galvanized and also available in grey colour (DB 703). Two mounting alternatives is available.

PRODUCT FACTS GIRO

Mounting	Colour	Dimensions HxW (mm)	Art. No
For setting in concrete	Hot dip galvanized	800x650	171.26.374
For mounting with bolt	Hot dip galvanized	800x650	171.22.579
For setting in concrete	Hot dip galvanized + DB703	800x650	171.27.900
For mounting with bol	Hot dip galvanized + DB703	800x650	171.22.144



City Bicycle Rack Tour

Stable and robust bicycle rack with design of round and squared tubes. The rack is hot dip galvanized and also available in grey (DB 703). Two mounting alternatives is also available.

PRODUCT FACTS TOUR

Mounting	Colour	Dimensions HxW (mm)	Art. No
For setting in concrete	Hot dip galvanized	800x820	171.21.197
For mounting with bolt	Hot dip galvanized	800x820	171.24.673
For setting in concrete	Hot dip galvanized + DB703	800x820	171.25.361
For mounting with bolt	Hot dip galvanized + DB703	800x820	171.22.397



How safe do you want to be?

Axelent AB offers a complete safety concept for machinery, construction and storage.

The Axelent head office is in Hillerstorp, Sweden, where all product development, production, storage and packaging takes place. Axelent has sales offices in 50 countries and our products are sold worldwide. The company also includes Axelent Wire Tray, who offer a complete cable routing wire tray system under the brand name X-Tray.

The Axelent Group is made up of the three companies Axelent, Axelent Engineering (automation solutions) and Axelent Software. These companies have the joint mission of making Swedish industry competitive through automation, safety, rational procedures, functions and expertise.



AXELENT · AXELENT ENGINEERING · AXELENT SOFTWARE

AXELENT AB · BOX 1 · KÄVVSJÖVÄGEN 17 · 335 04 HILLERSTORP, SWEDEN
+46 (0)370-37 37 30 · SALES@AXELENT.SE · WWW.AXELENT.SE